

SAMSUNG

CHASSIS: US60A
MOD- CX5330AN

HOT

COLD

15V

/

5V

17V

125V

33V

START

B+

STR - S6309

Q801 STR-S6307
DZ801 MTZ9V1
POWER

PC817
OPTO-
COUPLER

IC802
MC7805
REGULATOR

Q807
SE120N
ERROR-AMP

micro
ELECTRONIC
Dragoljub Jankovic
micro@ppt.yu
031 / 512 402 063 / 83 11 606

S-BY 2.8V
NORMAL 16V

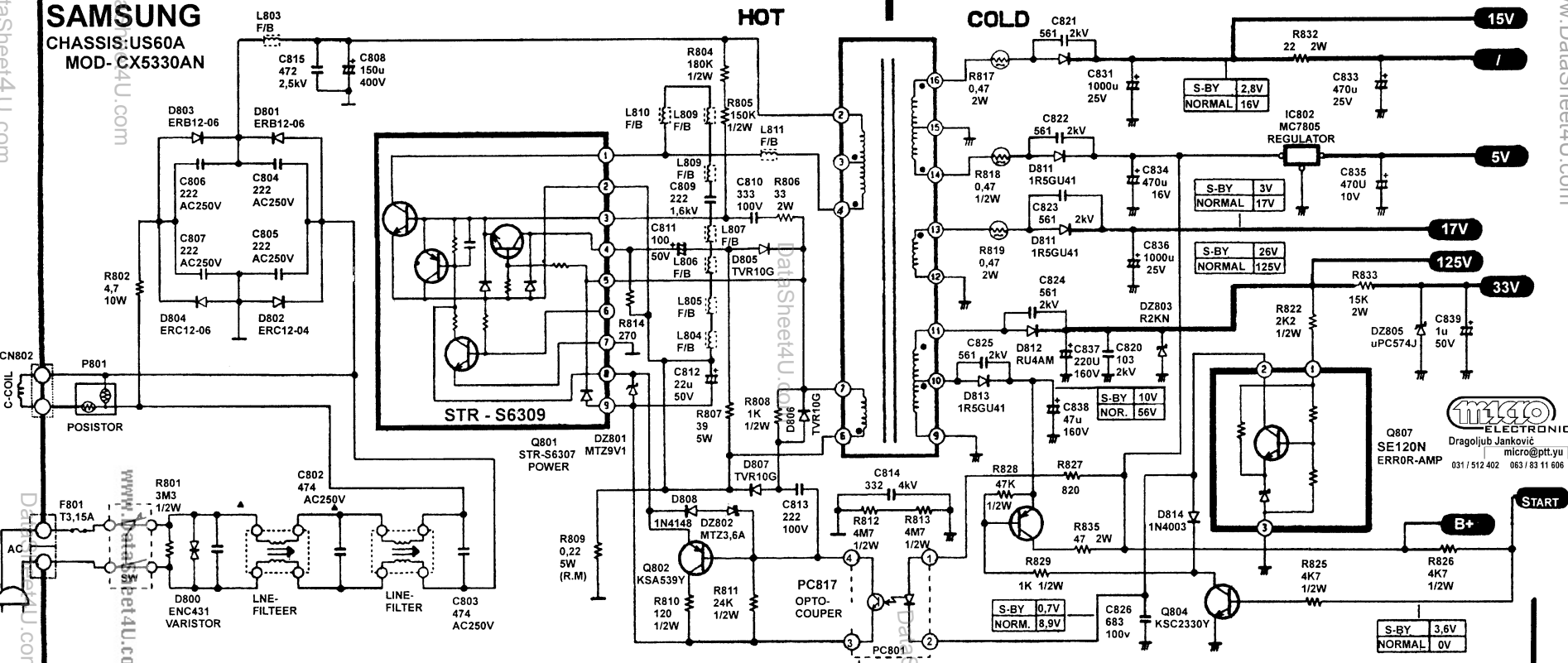
S-BY 3V
NORMAL 17V

S-BY 26V
NORMAL 125V

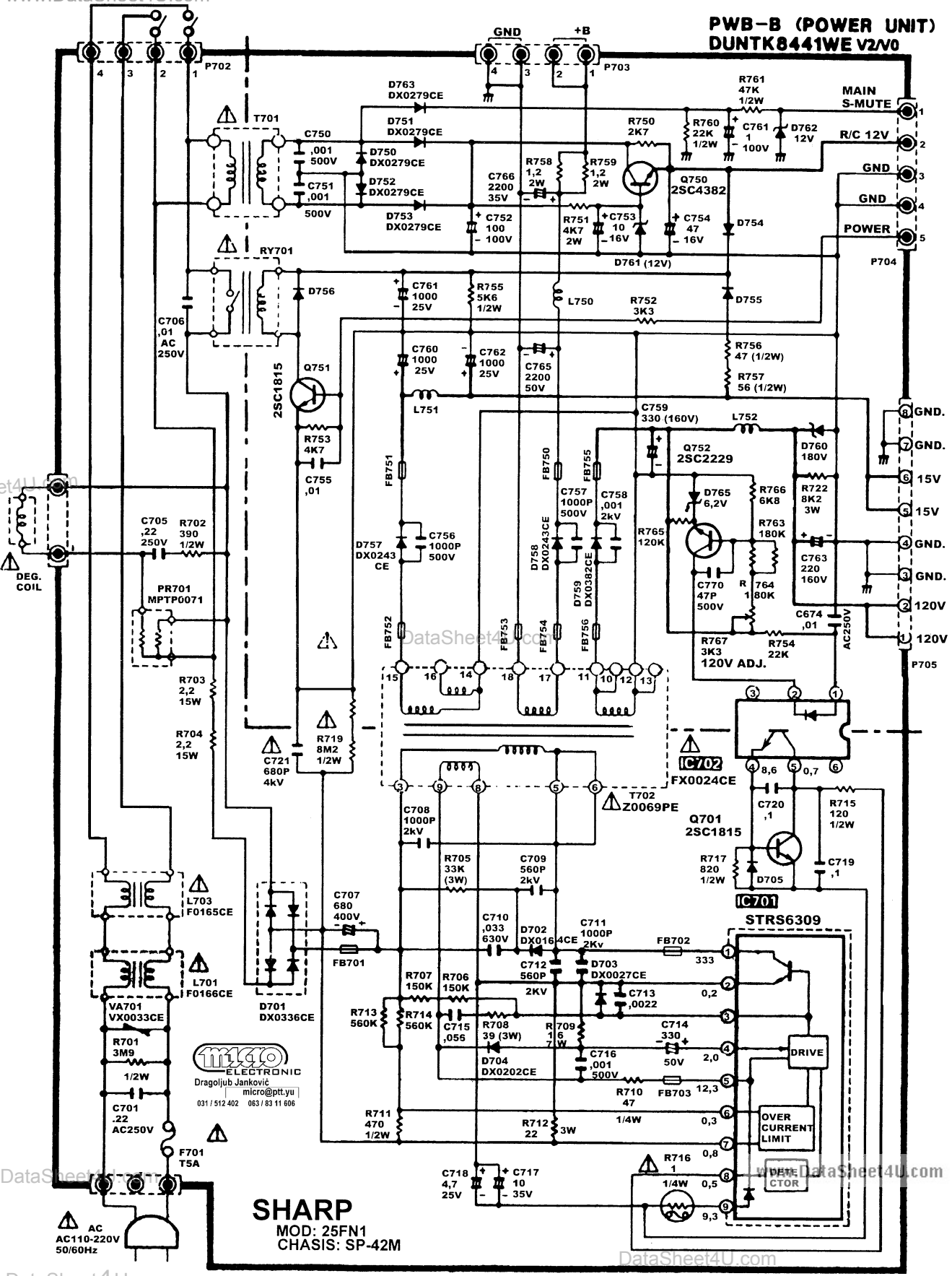
S-BY 10V
NOR. 56V

S-BY 0.7V
NORM. 8.9V

S-BY 3.6V
NORMAL 0V



PWB-B (POWER UNIT) DUNT8441WE V2/V0



SHARP
 MOD: 25FN1
 CHASIS: SP-42M

micro ELECTRONIC
 Dragojub Jankovic
 micro@ptt.yu
 031/512 402 063/83 11 606

www.DataSheet4U.com

DataSheet4U.com